



EXTERY

Veer chair

Veer – with its functional clarity, its design permeable to light and air, is suitable as a sensitive addition to architecture or to provide a pleasant contrast in a natural setting.

The user-friendly design offers several diverse and comfortable positions for the person resting on the bench. A distinct feature of the armchair Veer is the horizontal surface at the end of its backrest. It is positioned at just the right height to support your arm while holding a phone, a book, or a coffee cup. Furthermore, rounded tubular forms have been used in the design of Veer, which amplifies the familiarity of the living room armchair and adds homely comfort to public spaces. Veer brings life to every public space, creating dynamic and lively places.



Design by Pent Talvet, iseasi

Veer chair

FEATURES

The horizontal ending of the backrest, wood with a special profile, the precise angle of the backrest and the seat ensures comfortable lounging on the armchair.

Streamlined, soft forms that let light and air through, and hidden fasteners make the product aesthetically pleasing.

Different, but mutually supportive products of the Veer seating family offer new possibilities for space creation.

The hot-dip galvanized and powder-coated steel frame and high-quality, knot-free wooden material makes the product very resistant to weather and use.

Extery quality without compromise - harmonious design, carefully selected materials and engineering considered to the last detail.



EXTERY

WOOD

The wood selection includes double layer Osma Natural Oil Woodstain coated thermo-treated ash and tropical wood without a top coat.



Thermo-treated ash



Tropical wood

METAL

The steel parts are available in hot-dip galvanized and powder coated finish. The hot-dip galvanizing is done according to ISO 1461:2009 standard.

RAL recommendation by designer:



RAL 7016
+ graffiti protection



RAL 3012



RAL 6004



RAL 9010

INSTALLATION

Freestanding on a firm base.

Anchored to a firm foundation.

Material marking in product code:

a- thermo-treated ash
t- tropical wood

Example of code use for chair with tropical wood: VERB80-t

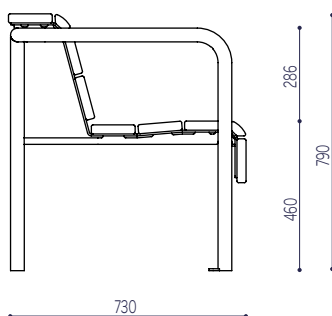
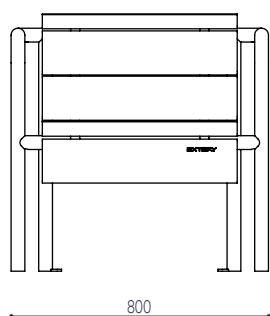
לכרטיס נוספים:

052-3114377-אלידה

Elyada@trigon-yam.com

DIMENSIONS AND VARIATIONS

Veer chair
VERB80



Veer chair, twin
VERB120

